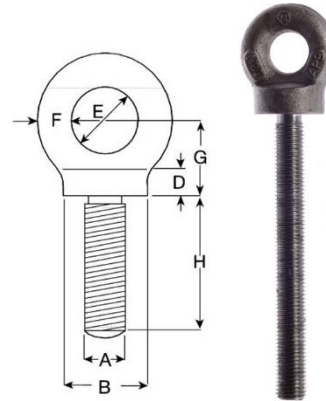
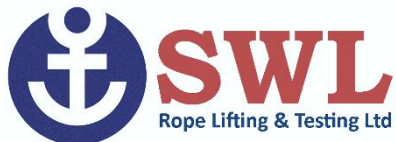


Long Shank Collared Eyebolts Metric Thread

- Material: High tensile C1045.
- Self-colour finish.
- Electro galvanised finish available on request.
- Heat treated.
- Marked with size, WLL, ID mark & CE.
- Supplied with an EC declaration of conformity.



W.L.L tonnes	A (mm)	B (mm)	D (mm)	E (mm)	F (mm)	G (mm)	H(mm)	Weight (kgs/each)
0.25	10	22	7	15	9	19.5	178	0.18
0.40	12	28	11	15	11	24.5	178	0.25
0.80	16	36	14	20	14	32	178	0.44
1.60	20	43	17	27	16.5	38	178	0.70
2.50	24	57	19	35	22	46	178	1.05
4.00	30	71	24	48	28	64	178	2.8



SWL Rope Lifting & Testing, 65-69 Bernard Street, Southampton Hampshire, SO14 3BA

Telephone: 02380 338286

Email: sales@swl.org.uk