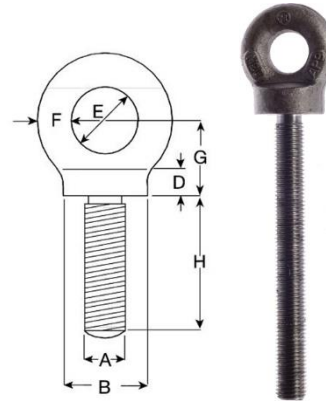
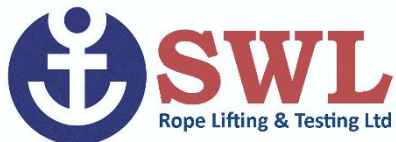


Long Shank Dynamo Eyebolts Metric Thread

- Material: High tensile C1045.
- Self-colour finish.
- Electro Galvanised finish available on request.
- To be used for vertical lifting only.
- Marked with size, WLL, ID mark & CE.
- Supplied with an EC declaration of conformity.



| W.L.L tonnes | A (mm) | B (mm) | D (mm) | E (mm) | F (mm) | G (mm) | H(mm) | Weight (kgs/each) |
|-----------------|--------|--------|--------|--------|--------|--------|-------|----------------------|
| 0.15 | 8 | 17 | 5 | 22 | 9 | 27 | 100 | 0.11 |
| 0.25 | 10 | 17 | 5 | 22 | 9 | 27 | 100 | 0.12 |
| 0.32 | 12 | 17 | 5 | 22 | 9 | 27 | 100 | 0.17 |
| 0.63 | 16 | 23 | 6 | 29 | 11 | 34 | 114 | 0.35 |
| 1.25 | 20 | 32 | 9 | 40 | 15 | 49 | 127 | 0.60 |
| 2.00 | 24 | 40 | 12 | 51 | 19 | 60 | 127 | 1.10 |



SWL Rope Lifting & Testing, 65-69 Bernard Street, Southampton Hampshire, SO14 3BA

Telephone: 02380 338286

Email: sales@swl.org.uk