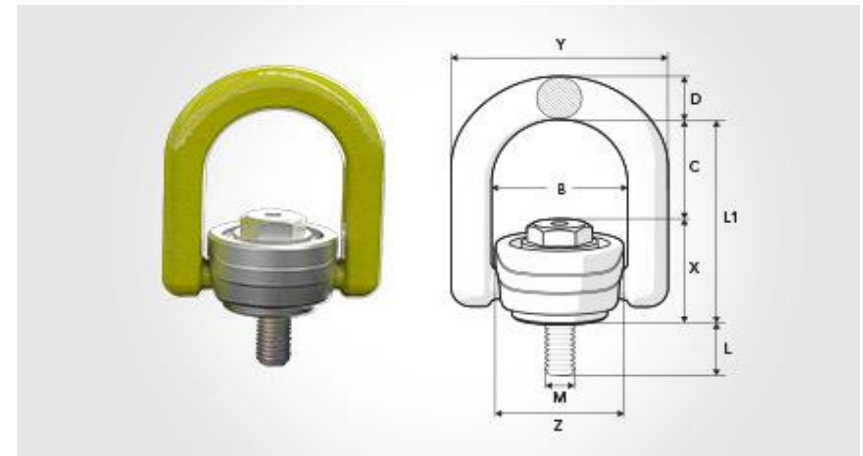
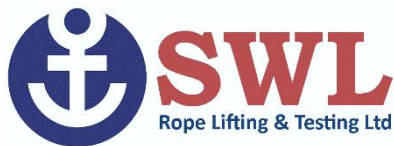


## GrabiQ Rotating Lifting Point- Meric Thread

- Dismountable D-Ring- No Tools Needed- Simply fold down the D-Ring forward and push down
- Factor of Safety- 4:1
- Long bolts can be supplied
- Never side load the RLP
- Rotates 360 Degrees and Pivots 180 Degrees
- Strong, Flexible and Reliable



Size	L (mm)	L1 (mm)	L2 (mm)	B (mm)	C (mm)	D (mm)	M (mm)	X (mm)	Y (mm)	Z (mm)	Weight (kgs)
M8 x 1.25	16	62	101	42	35	12	8	27	64	40	0.3
M10 x 1.5	16	62	101	42	35	12	10	27	64	40	0.3
M12 x 1.75	25	88	120	57	46	19	12	42	91	54	1.0
M16 x 2	25	88	160	57	46	19	16	42	91	54	1.0
M20 x 2.5	36	110	200	83	55	28	20	55	133	80	2.9
M24 x 3	36	110	240	83	55	28	24	55	133	80	2.9
M30 x 3.5	58	148	300	114	70	34	30	78	182	111	7.1
M36 x 4	58	148	300	114	70	34	36	78	182	111	7.3
M42 x 4.5	81	190	301	149	91	40.4	42	99	229	142	14.3
M48 x 5	81	190	301	149	91	40.4	48	99	229	142	14.5



SWL Rope Lifting & Testing, 65-69 Bernard Street, Southampton Hampshire, SO14 3BA

Telephone: 02380 338286

Email: [sales@swl.org.uk](mailto:sales@swl.org.uk)