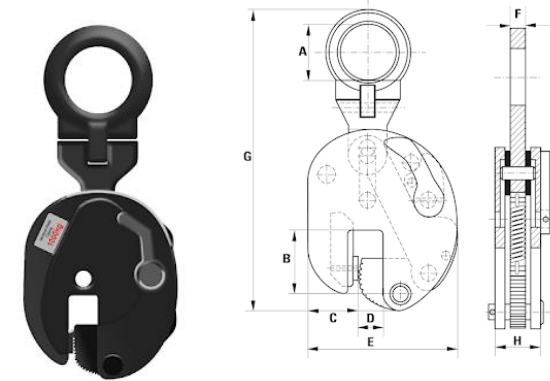
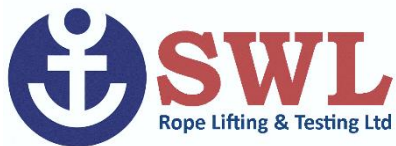


## Vertical Plate Lifting Clamp

- Hardened Jaws for Extra Durability
- Painted finish
- Lifting under 20% of the rated capacity loading is strictly forbidden
- No overloading at any time
- For use on lifting one plate at a time
- Meets the performance requirements of BS EN 13155
- Bigger sizes are available on request
- Always ensure access to operating manual



Capacity (kg)	Jaw Opening Plate Thickness (mm)	A (mm)	B (mm)	C (mm)	D (mm)	E (mm)	F (mm)	G (mm)	H (mm)	Weight (kgs)
500	0-15	30	43	34.5	15	103	10	212	36	2.0
1000	0-20	48	63	51	20	138	12	294	50	4.8
2000	0-25	68	76	53	25	164	16	370	52	6.5
3000	0-25	74	85	56	30	193	20	418	78	15



SWL Rope Lifting & Testing, 65-69 Bernard Street, Southampton Hampshire, SO14 3BA

Telephone: 02380 338286

Email: [sales@swl.org.uk](mailto:sales@swl.org.uk)